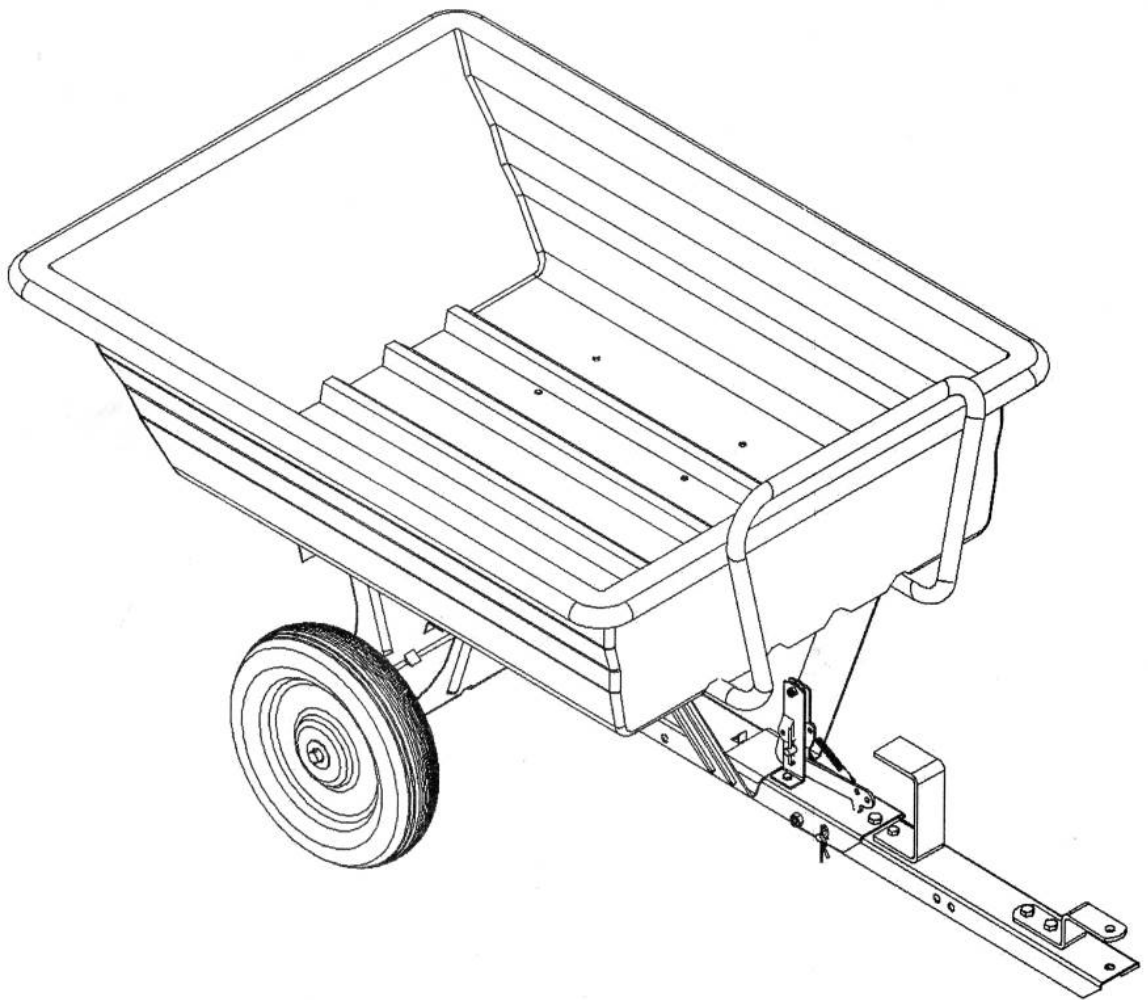


PUSH/PULL POLY DUMP CART

INSTRUCTION & ASSEMBLY



SAFETY RULES

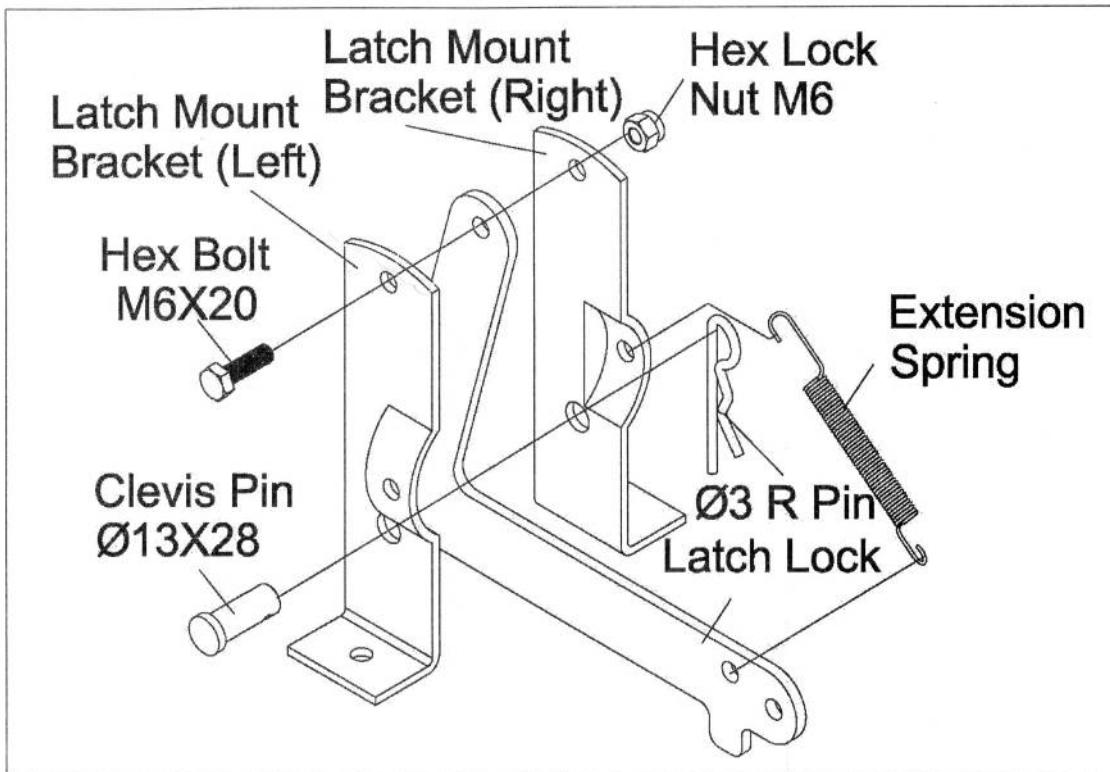
Remember, any power equipment can cause injury if operated improperly or if the user does not understand how to operate the equipment. Exercise caution at all times when using power equipment.

1. Read this owners manual before attempting to assemble or operate the cart.
2. Read the vehicle owners manual and know how to operate your tractor, before using the cart attachment.
3. Do not at any time carry passengers in this cart. It has not been designed to carry passengers.
4. Never allow children to operate the tractor or the cart attachment.
5. Do not allow adults to operate the tractor or cart attachment without proper instruction.
6. Always begin with the transmission in first (low) and gradually increase speed as conditions permit.
7. Tow the cart reduced speed over rough terrain and hillside or near creeks and ditches to prevent tipping over and loss of control. Do not drive too close to a creek or ditch.
8. Vehicle braking and stability may be affected with the attachment of this cart. Do not fill cart to maximum weight capacity without checking the capability of the towing vehicle to safely pull and stop with the cart attached.
9. Before operating vehicle on any grade (hill) refer to the safety rules in the vehicle owner's manual concerning safe operation on slopes. Refer also to the slope guide on page 9 of this manual. **Stay off steep slopes!**
10. Do not tow this cart on highways or on public thoroughfares.
11. Maximum towing speed is 10m.p.h.
12. Follow maintenance and lubrication instructions as outlined in this manual.

ASSEMBLY INSTRUCTIONS

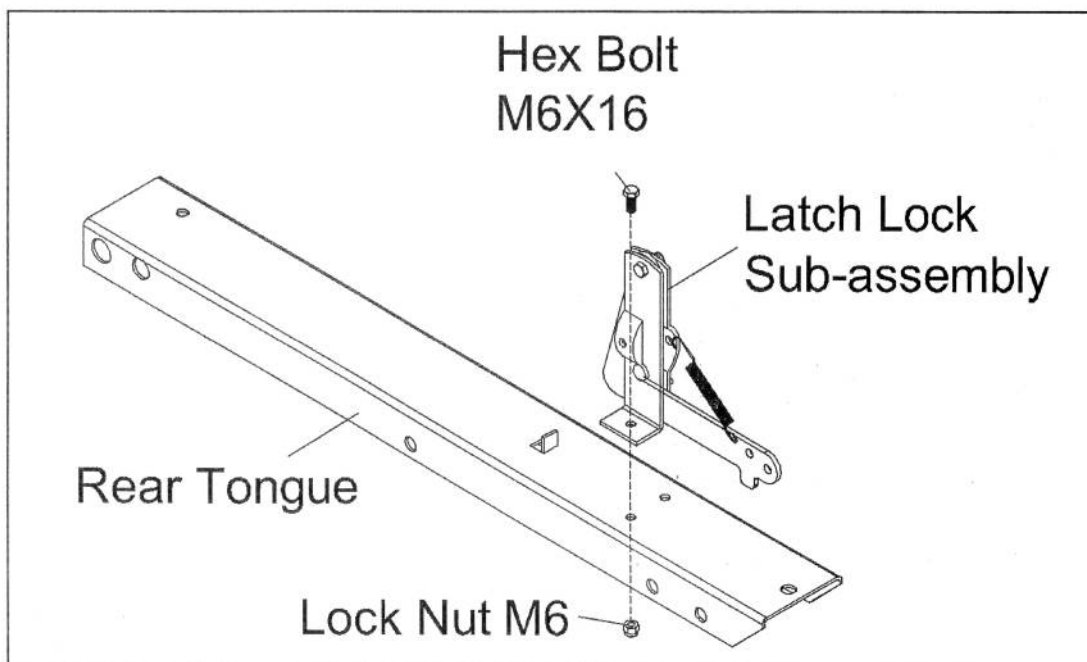
1. Remove the hardware pack and all loose parts from the carton. Be sure the carton is empty before discarding.
2. Assemble the latch lock between the latch mount brackets using an M6x20 hex bolt and a M6 lock nut. Tighten so that the latch lock can still pivot. Attach the extension spring to the latch lock and the latch mount bracket as shown in figure 1.
3. Insert the $\text{Ø}13 \times 28$ clevis pin through the holes in the latch mount brackets and secure with an $\text{Ø}3$ R pin. See figure 1.

Figure 1



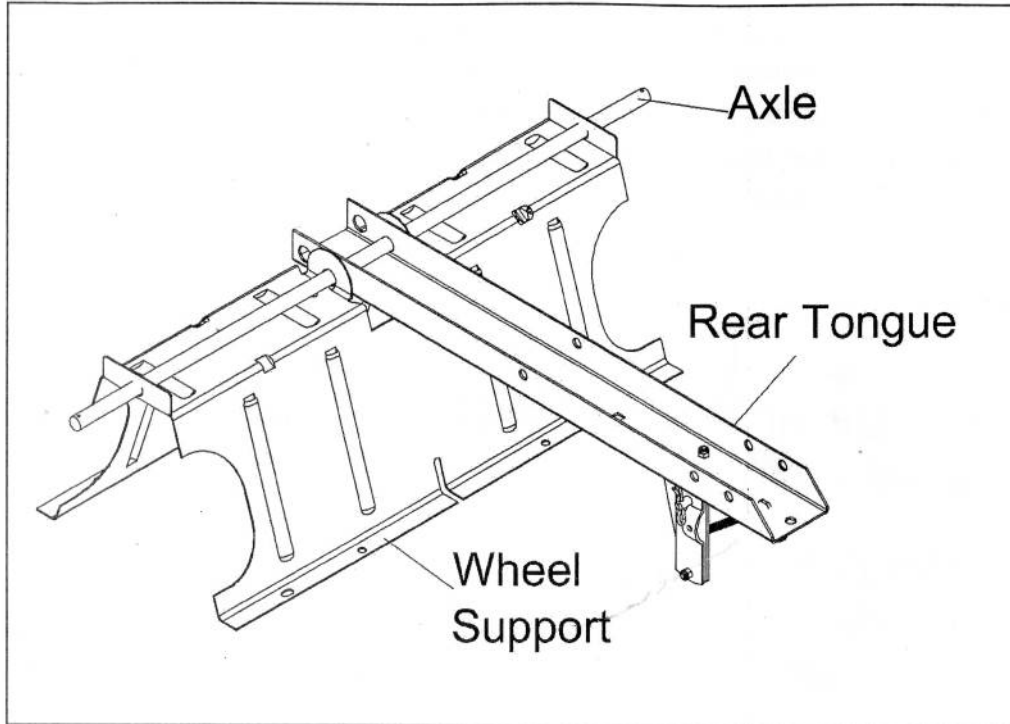
4. Assemble the latch lock subassembly to the rear tongue using two M6x16 hex bolts and M6 lock nuts. Tighten. See figure 2.

Figure 2



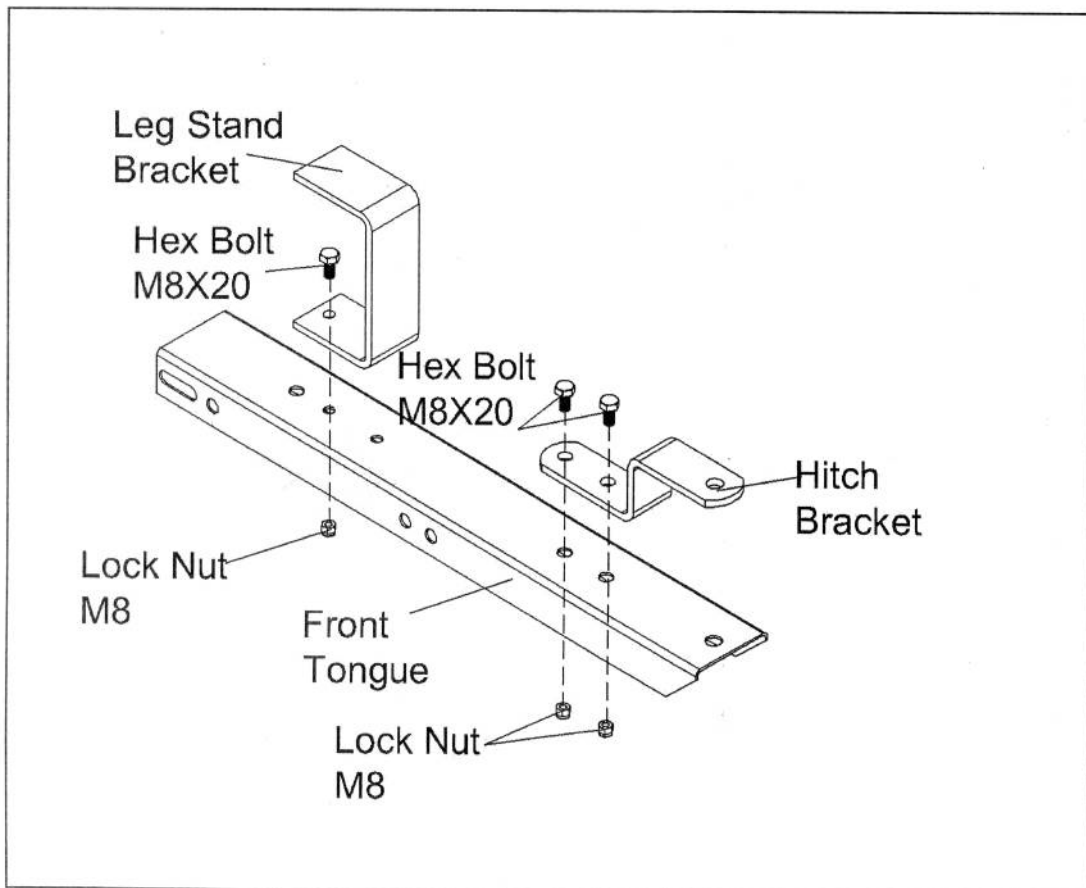
5. Lay the rear tongue (open side facing up) onto the Wheel Support. Assemble the axle through the wheel support and the tongue. See figure 3.

Figure 3



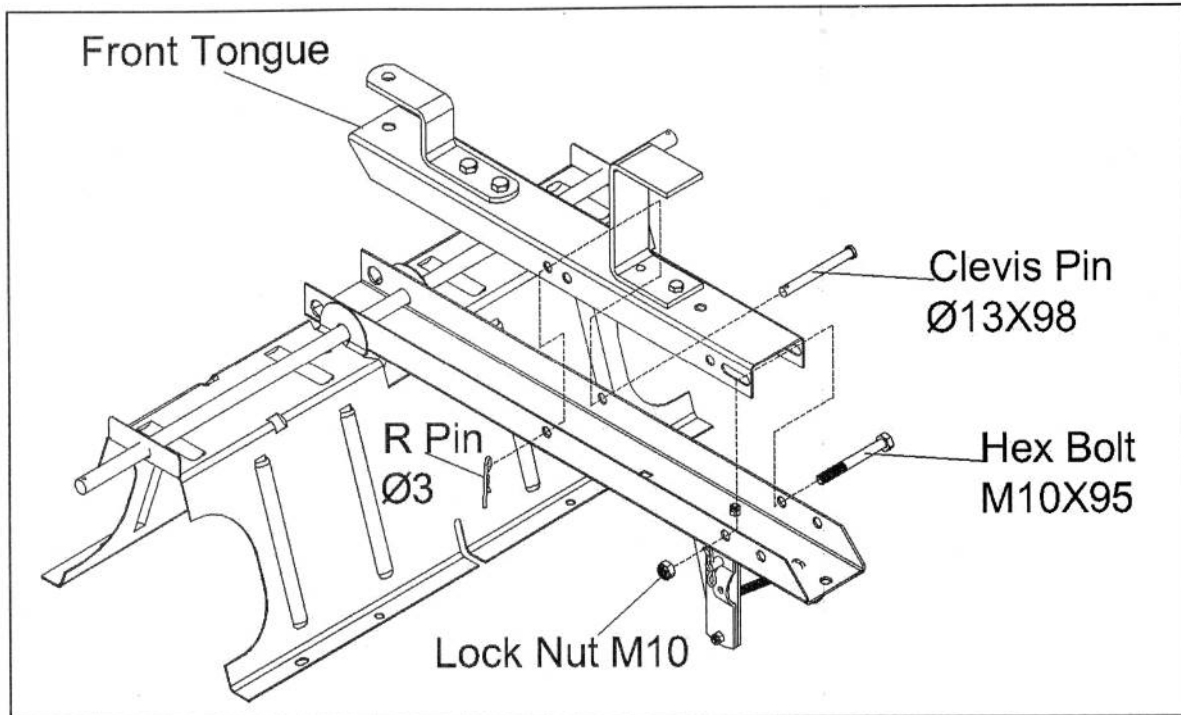
6. Assemble the hitch bracket to the front tongue using two M8 lock nuts. Tighten. See figure 4.
7. Assemble the leg stand bracket to the front tongue using two M8x20 hex bolts and M8 lock nuts. Tighten. See figure 4.

Figure 4



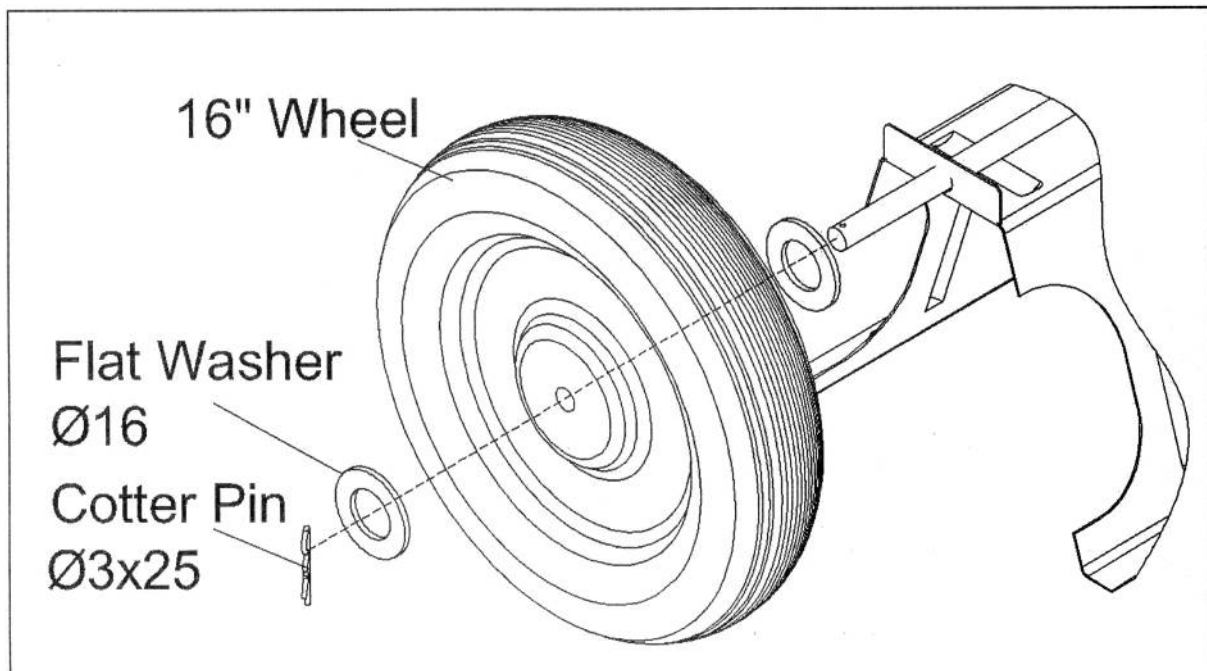
8. Place the front tongue inside the rear tongue as shown in figure 5. Fasten the tongues together using an M10x95 hex bolt and a M10 lock nut. Tighten, leaving the nut just loose enough that the tongues can pivot freely. See figure 5.
9. Insert the clevis pin $\text{\O}13 \times 98$ through the tongues and secure with an R Pin $\text{\O}3$, as shown in figure 5.

Figure 5



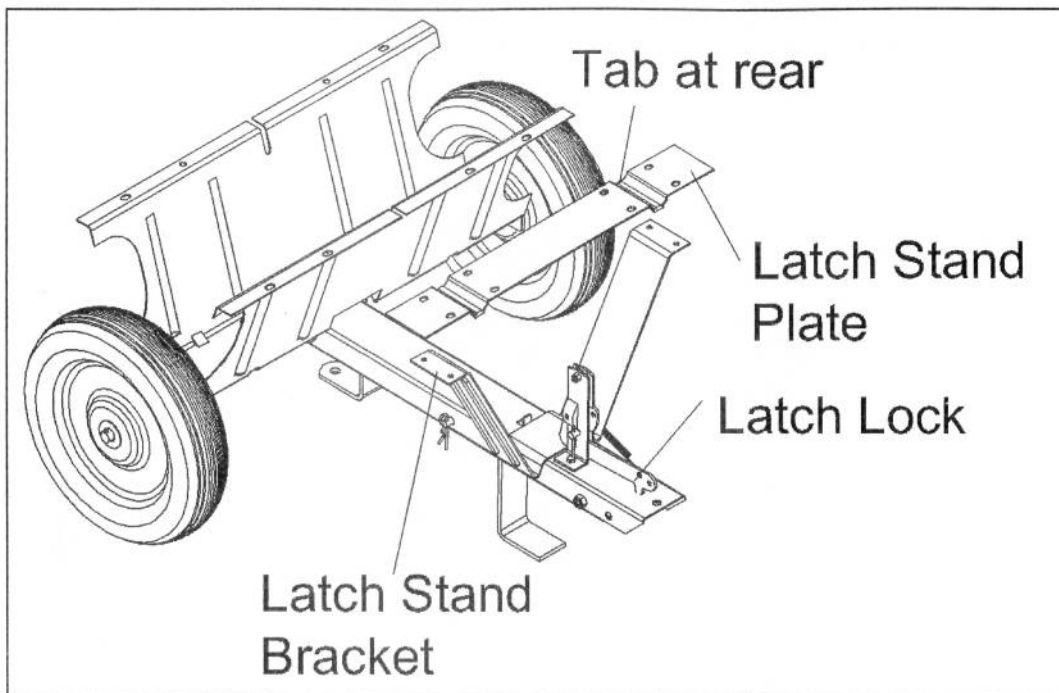
10. Assemble a wheel with the valve stem facing out onto the axle. Inset a Cotter Pin $\text{\O}3 \times 25$ to the axle. See figure 6.

Figure 6



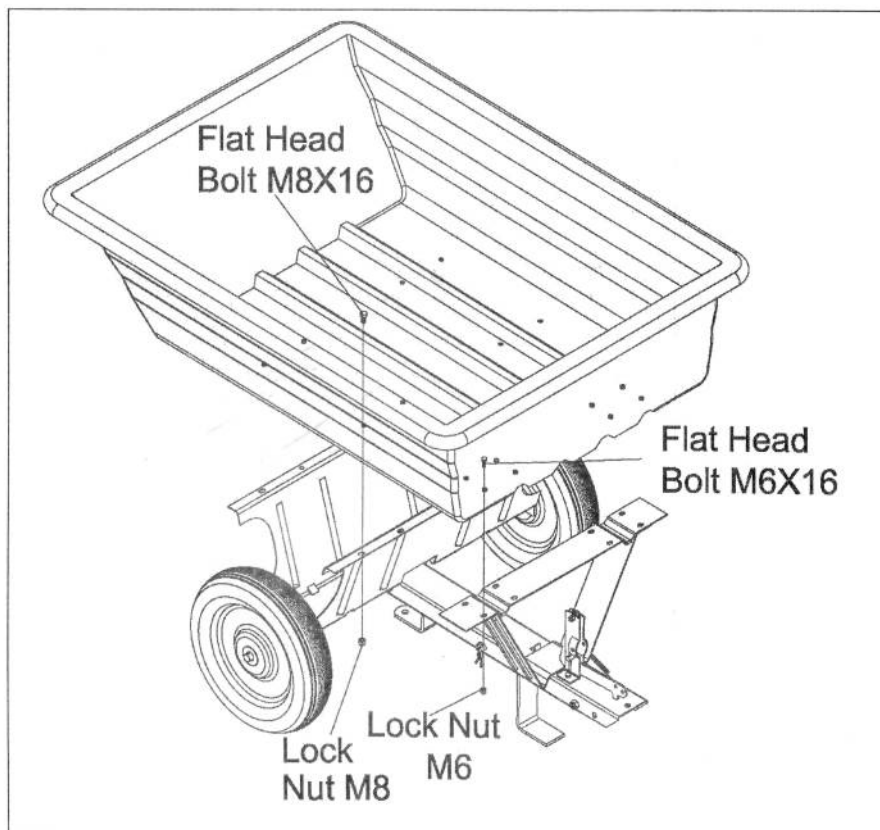
11. Turn the wheel support over to rest on the wheels. Place the latch stand bracket onto the tongue, sliding it underneath the latch lock. Turn the latch stand plate as shown in figure 7. The tabs at the ends of the channels must face the rear. Place the latch stand plate down onto the latch stand bracket. See figure 7.

Figure 7



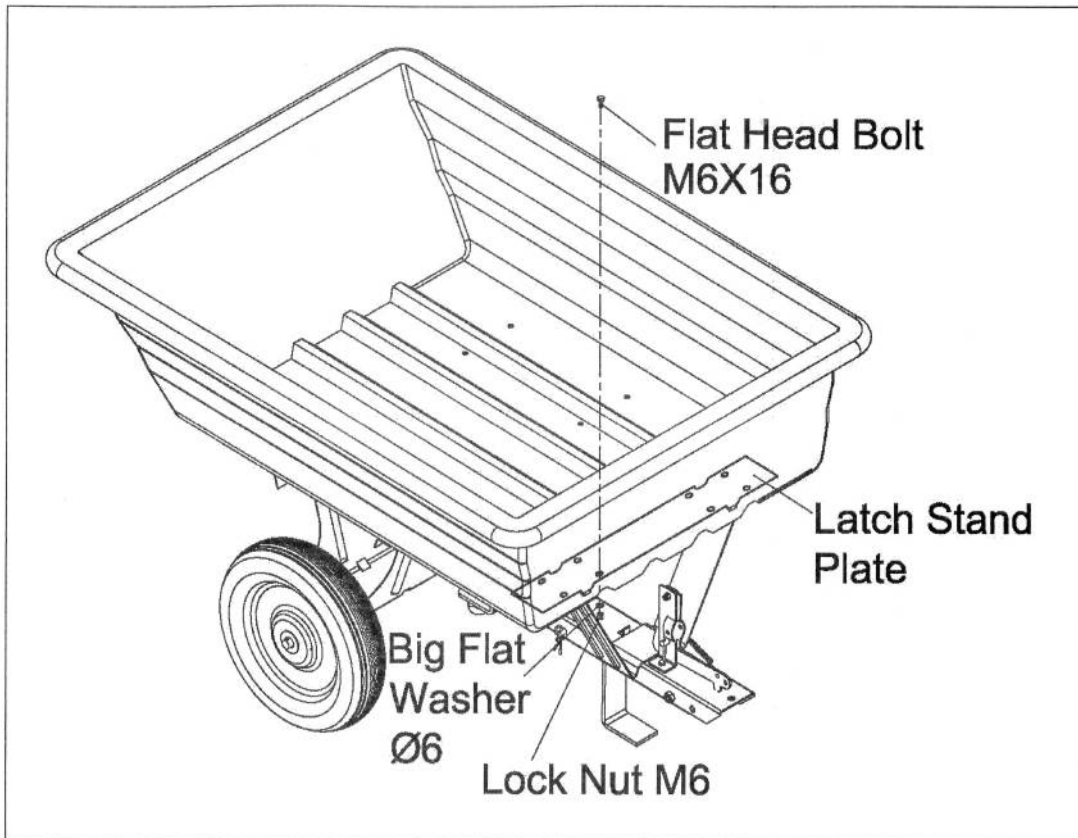
12. Place the poly tray down onto the wheel support and the latch stand plate. Fasten the tray to the wheel support using eight M8x16 Flat head bolts and M8 lock nuts. Fasten the tray to the latch stand plate and latch stand bracket using four M6x16 Flat Head bolts and M6 lock nuts. Do not tighten yet. See figure 8.

Figure 8



13. Insert four Flat Head Bolt M6x16 down through the tray and the inside holes in the latch stand plate.
Secure the bolts with four Ø6 big flat washers and M6 lock nuts. Do not tighten yet. See figure 9.
14. At this time tighten all bolts which were left loose.

Figure 9



15. Slide the handle into the channels in the latch stand plate. Push the handle in all the way against the front of the tray by depressing the detent buttons in the bottom of the handle. See figure 10.
16. Assemble an Ø6 lock washer and then an Ø6 flat washer onto each of the two ST6.3x13 flange screw. Assemble the screws into the small holes at each end of the handle. See figure 10.

Figure 10

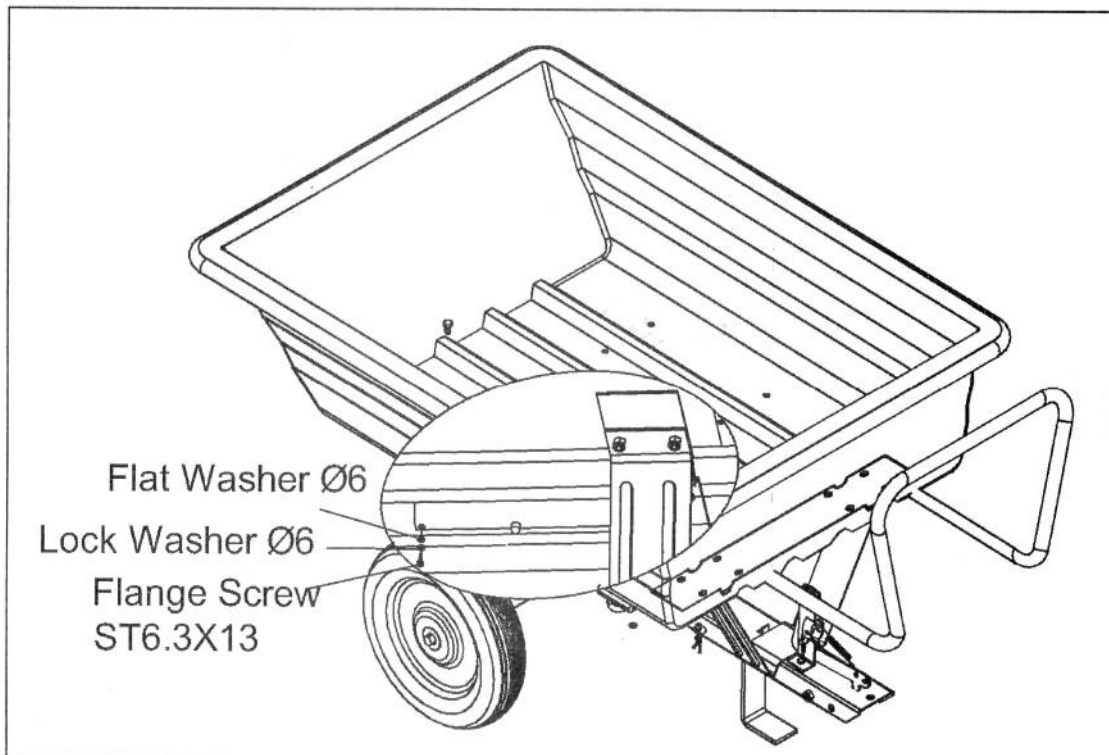
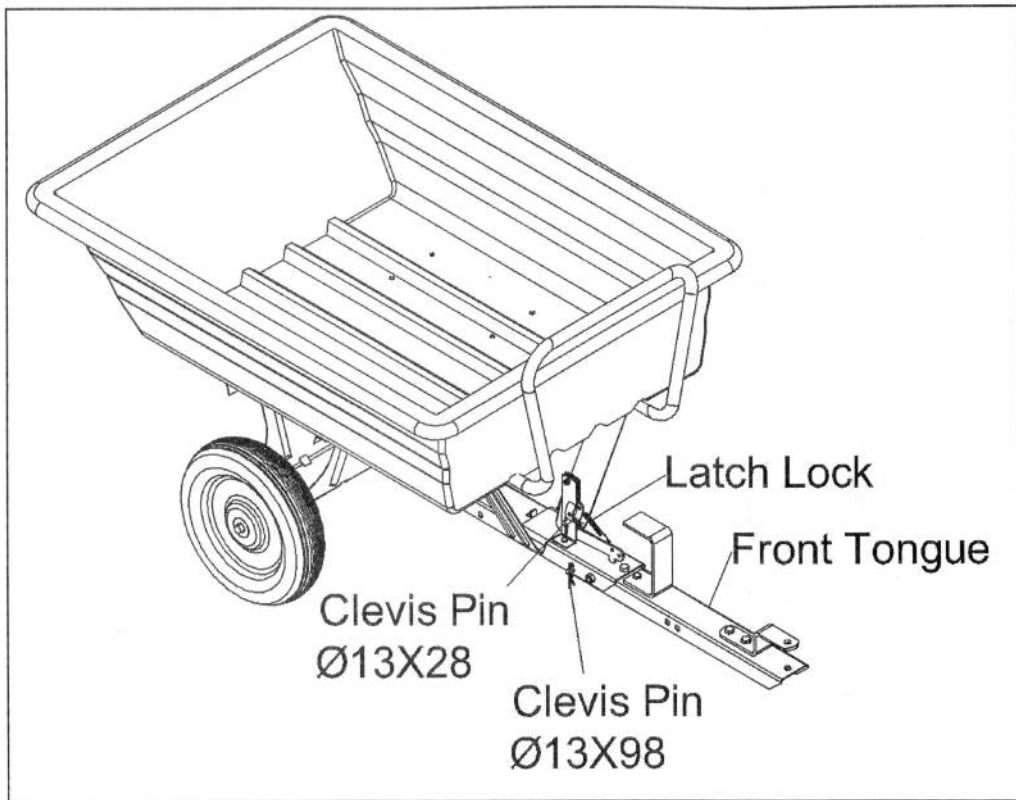
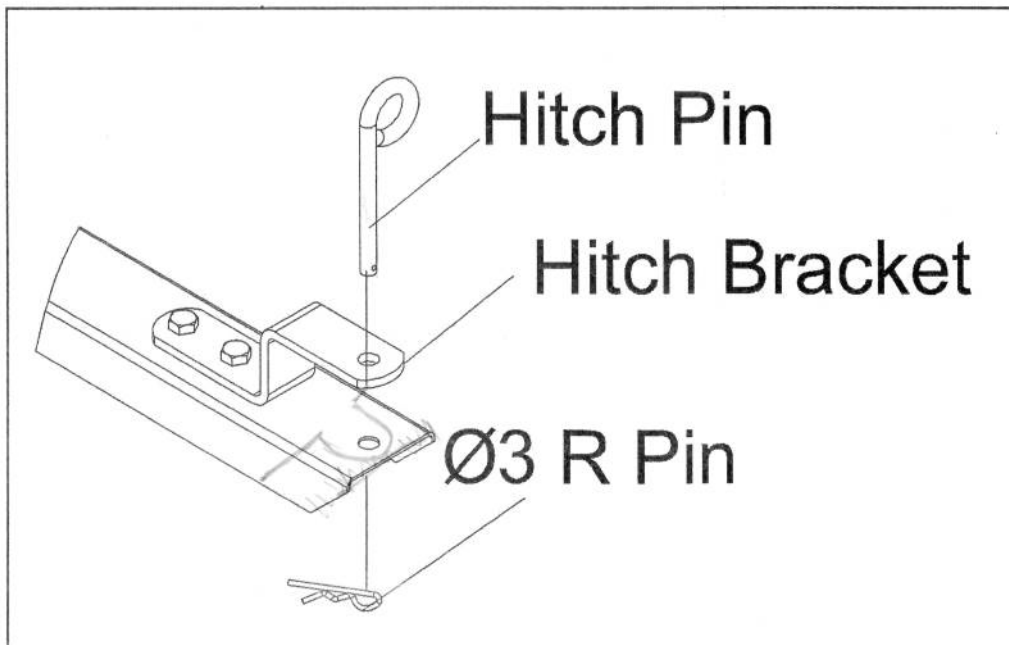


Figure 11



17. Assemble the hitch pin through the tongue and hitch bracket and secure it with the Ø3 R Pin. See figure 12.

Figure 12



OPERATION



CAUTION: TO AVOID POSSIBLE INJURY, BEFORE RELEASING THE LATCH BE SURE THAT NO ONE IS NEAR THE CART.

TOW CART

1. To convert the cart for towing, remove the plastic cap from the tongue. Remove the 4"13x98 clevis pin and P Pin which secure the front tongue in storage position underneath the rear tongue. Pivot the front tongue outward and secure it in the towing position using the same clevis pin and hairpin cotter. Push the handle in all the way against the front of the tray depressing the detent buttons in the bottom of the handle. Refer to figure 11 on page 7.
2. Refer to the vehicle owners manual for instructions on safe operation on slopes.
3. Use the slop guide provided on page 9 of this manual to determine whether slope angle is too steep for safe operation.
4. Always test to make sure your tractor has adequate towing and braking capabilities whenever hauling a substantial amount of weight in your cart. Use extra caution when operating on slopes.

IMPORTANT!

Do Not Exceed 500 LB. Weight Capacity Of Cart
One cubic foot of dirt weighs approximately 150 lbs.



CAUTION: VEHICLE BRAKING AND STABILITY MAY BE AFFECTED WITH THE ADDITION OF AN ACCESSORY OR AN ATTACHMENT. BE AWARE OF CHANGING CONDITIONS ON SLOPES.

5. For best handling and traction, distribute the weight of the load evenly in the cart.
6. To dump material from the cart, remove the clevis pin \emptyset 13x28 from the latch on the tongue and release the latch. The cart bed will then tilt backwards to empty its contents. After emptying, pull the front of the bed down toward the cart tongue until the latch snaps into place. Reinstall the clevis pin in the latch to prevent accidental release of the latch.
7. The maximum towing speed for his cart is 10 m.p.h.

PUSH CART

Important: Leave the latch lock clevis pin in place at all times while using the cart as a push cart. The clevis pin is shown in figure 1 on page 2.

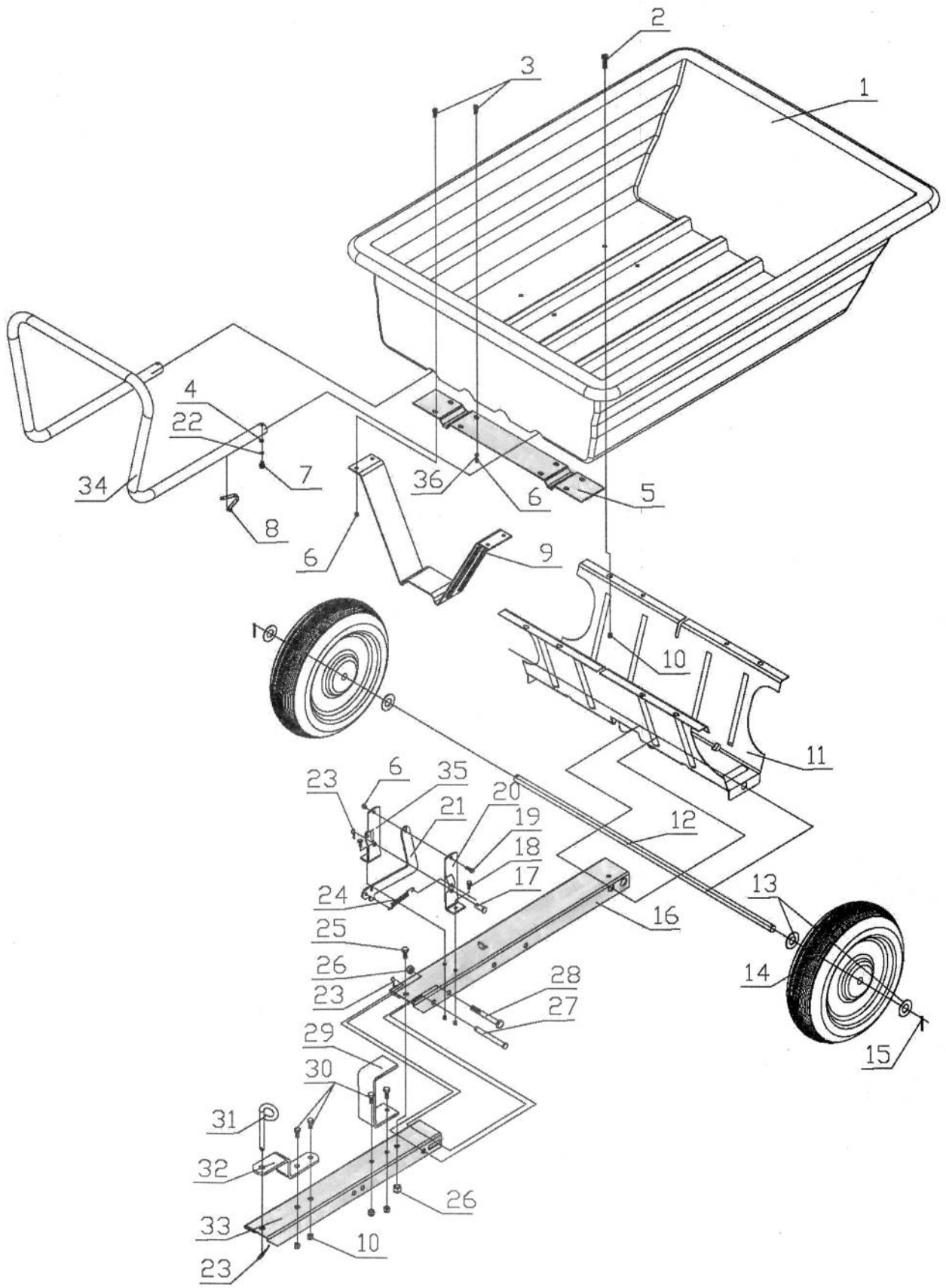
1. To convert cart for push operation, remove the \emptyset 13x98 long clevis pin and R Pin \emptyset 3 which secure the tongue in the towing position. (See figure 11 on page 7.) Pivot the front tongue into the storage position underneath the rear tongue and secure it using the \emptyset 13x98 long clevis pin and R Pin \emptyset 3. (Refer to figure 5 on page 4.)

2. For best handling and to help prevent accidental tipping, distribute the weight of the load evenly in the cart.
3. Do not load more weight into the push cart than you can handle and control comfortably.
4. To dump material from the push cart, lift up on the handle and tilt the cart forward. Be sure that the latch mechanism on the tongue is locked and secured with the clevis pin to prevent accidental release of the latch.

MAINTENANCE

1. At the beginning of each season, using a light machine oil, lubricate the latch, the latch pivot bolt, and the area of the axle where the draw bar tongue pivots.
2. Grease or oil the wheel bearings periodically. Use automotive wheel bearing type grease or 20 weight oil.
3. Check periodically for loose bolts.
4. Keep tire adequately filled. Do not exceed the maximum recommended pressure on tire.

DRAWING



PARTS LIST

PART #	DESCRIPTION	QTY	PART #	DESCRIPTION	QTY
1	Poly Tray	1	19	Hex Bolt M6x20	1
2	Flat Head Bolt M8x16	8	20	Latch Mount Bracket (Right)	1
3	Flat Head Bolt M6x16	8	21	Latch Lock	1
4	Flat Washer Ø6	2	22	Lock Washer Ø6	2
5	Latch Stand Plate	1	23	R Pin Ø3	3
6	Lock Nut M6	11	24	Extension Spring	1
7	Flange Screw ST6.3x13	2	25	Hex Bolt M10x20	1
8	Pin	2	26	Lock Nut M10	2
9	Latch Stand Bracket	1	27	Clevis Pin Ø13x98	1
10	Lock Nut M8	12	28	Hex Bolt M10x95	1
11	Wheel Support	1	29	Leg Stand Bracket	1
12	Axle	1	30	Hex Bolt M8x20	4
13	Flat Washer Ø16	4	31	Hitch Pin	1
14	Wheel	2	32	Hitch Bracket	1
15	Cotter Pin Ø3x25	2	33	Front Tongue	1
16	Rear Tongue	1	34	Handle	1
17	Clevis Pin Ø13x28	1	35	Latch Mount Bracket (Left)	1
18	Hex Bolt M6x16	2	36	Big flat Washer Ø6	4